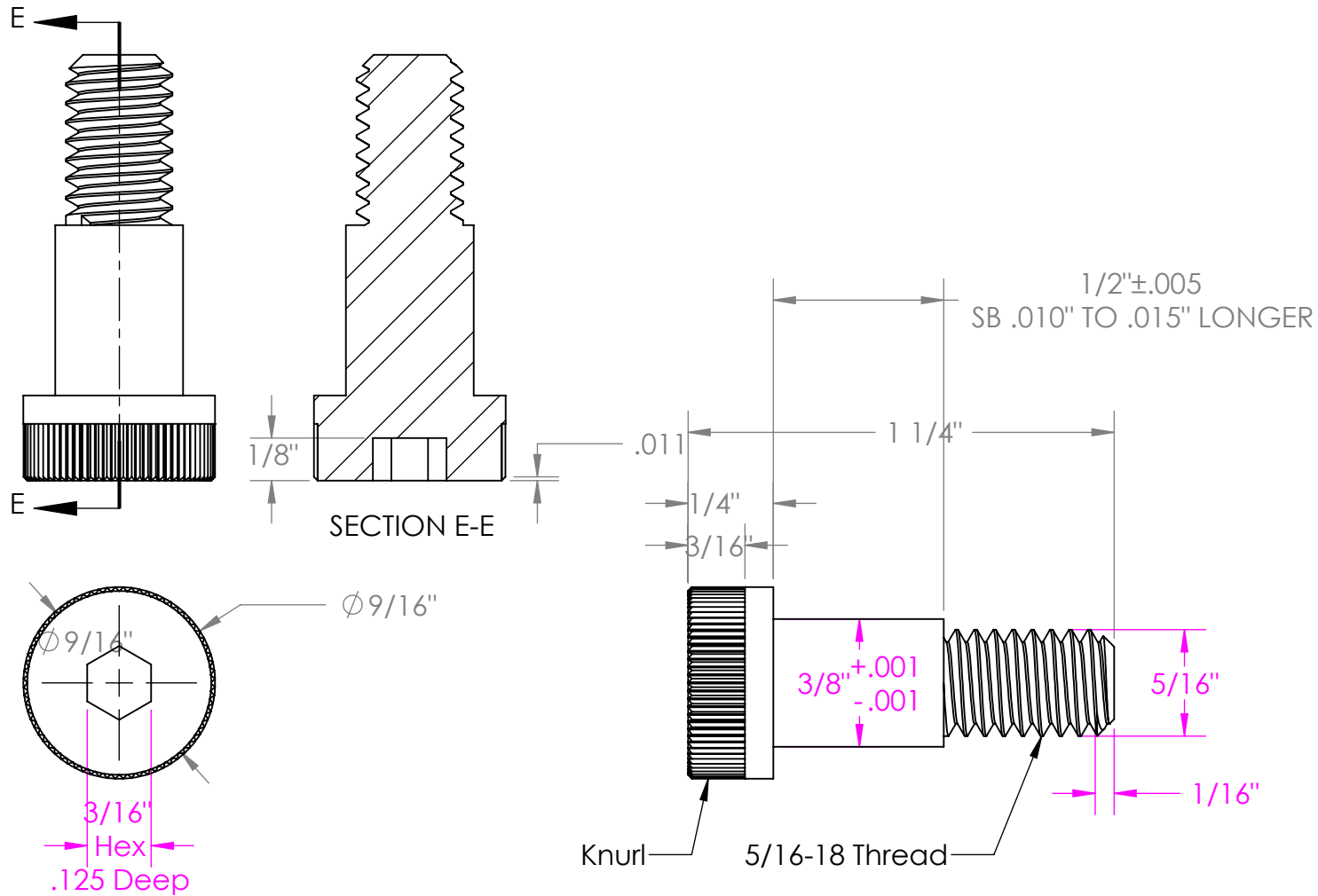


PART NUMBER	DESCRIPTION	MATERIAL	WEIGHT	INVENTORY	VENDOR
1000657	Shoulder Bolt 3/8x 1/2	T-316 Stainless	0.040 lbs.		



PROPRIETARY AND CONFIDENTIAL

THE INFORMATION CONTAINED IN THIS DRAWING IS THE SOLE PROPERTY OF VERSA-STEEL, INC. ANY REPRODUCTION IN PART OR AS A WHOLE WITHOUT THE WRITTEN PERMISSION OF VERSA-STEEL, INC. IS PROHIBITED.

DIMENSIONS ARE IN INCHES TOLERANCES: X.XX \pm 0.020" X.XXX \pm 0.005"	
UNLESS NOTED	
MATERIAL	T-316 Stainless
FINISH	Bare
DO NOT SCALE DRAWING	

NAME	DATE
DRAWN	2009-11-19
CHECKED	
ENG APPR.	
MFG APPR.	
Q.A.	
COMMENTS:	

Versa-Steel, Inc Portland, Oregon USA Ph 503-287-9822			
Description: Shoulder Bolt 3/8x 1/2			
Part Number: 1000657			
SIZE A	DWG. NO.	1 of 1	REV.
SCALE:2:1	WEIGHT: 0.040	LBS	SHEET 1 OF 1