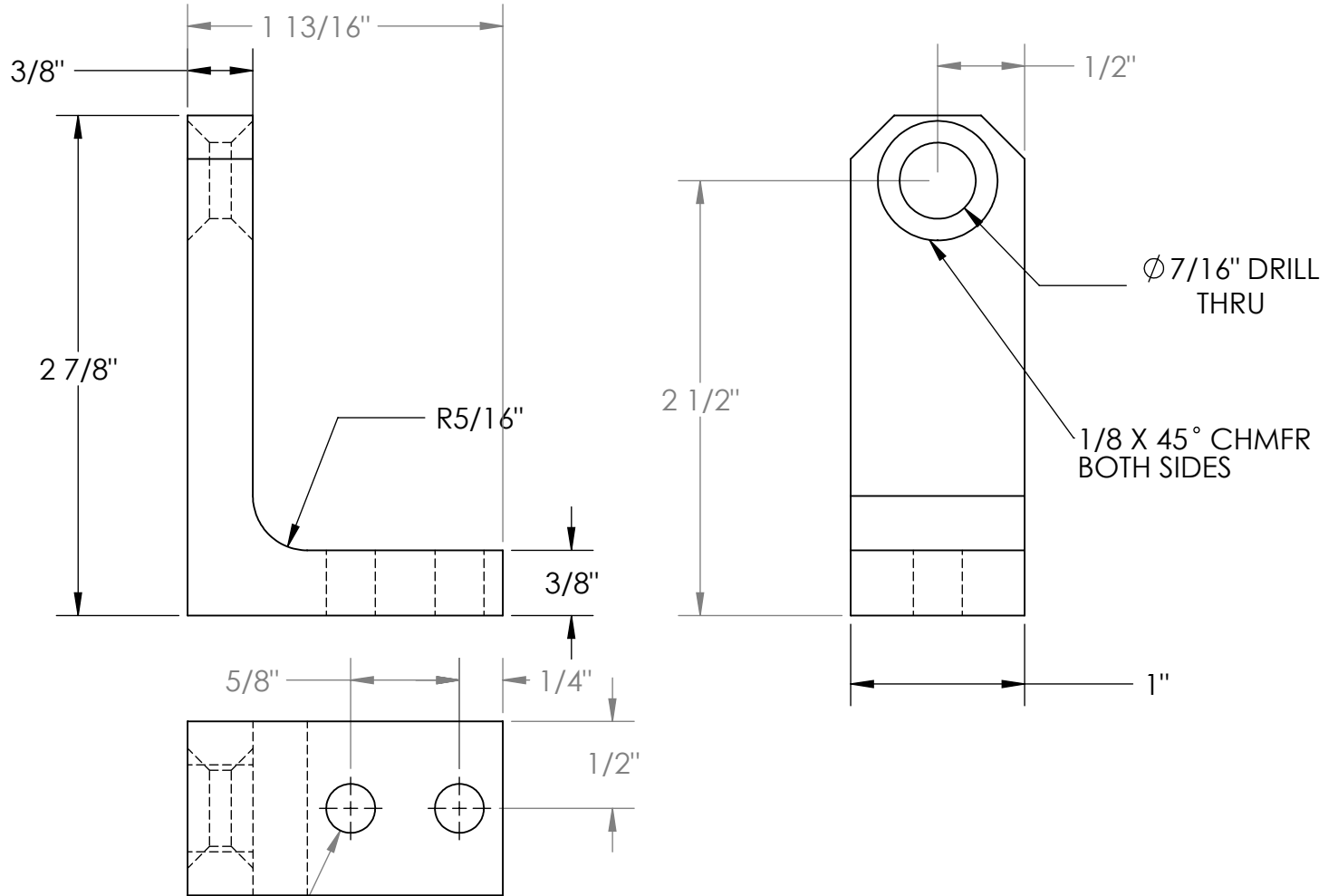
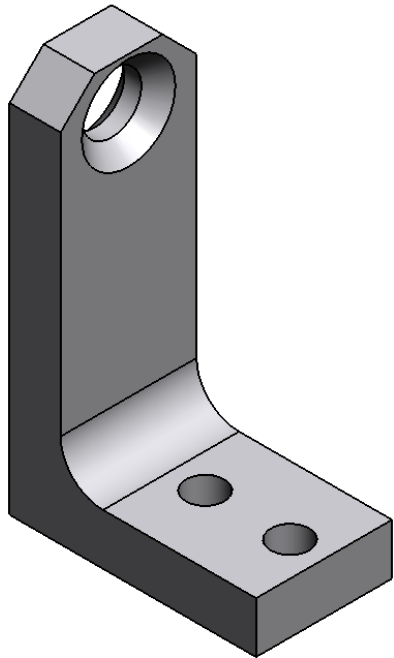


PART NUMBER	DESCRIPTION	MATERIAL	WEIGHT	STOCK SIZE
1000554	LOCK BRACKET	6061-T6	0.14	ANGLE 5" X 3" X 3/8" X 1" LG



2X Ø 5/16" THRU ALL

PROPRIETARY AND CONFIDENTIAL

THE INFORMATION CONTAINED IN THIS DRAWING IS THE SOLE PROPERTY OF VERSA-STEEL, INC. ANY REPRODUCTION IN PART OR AS A WHOLE WITHOUT THE WRITTEN PERMISSION OF VERSA-STEEL, INC. IS PROHIBITED.

DIMENSIONS ARE IN INCHES TOLERANCES: X.XX ± 0.020" X.XXX ± 0.005"		NAME	DATE
UNLESS NOTED		E. BAILIFF	2009-07-08
MATERIAL 6061-T6		CHECKED	
FINISH		ENG APPR.	
DO NOT SCALE DRAWING		MFG APPR.	
		Q.A.	
		COMMENTS:	

Versa-Steel, Inc Portland, Oregon USA Ph 503-287-9822			
Description: LOCK BRACKET			
Part Number: 1000554			
SIZE A	DWG. NO.	1000554	REV. B
SCALE: 1:1	WEIGHT: 0.14	LBS	SHEET 1 OF 1