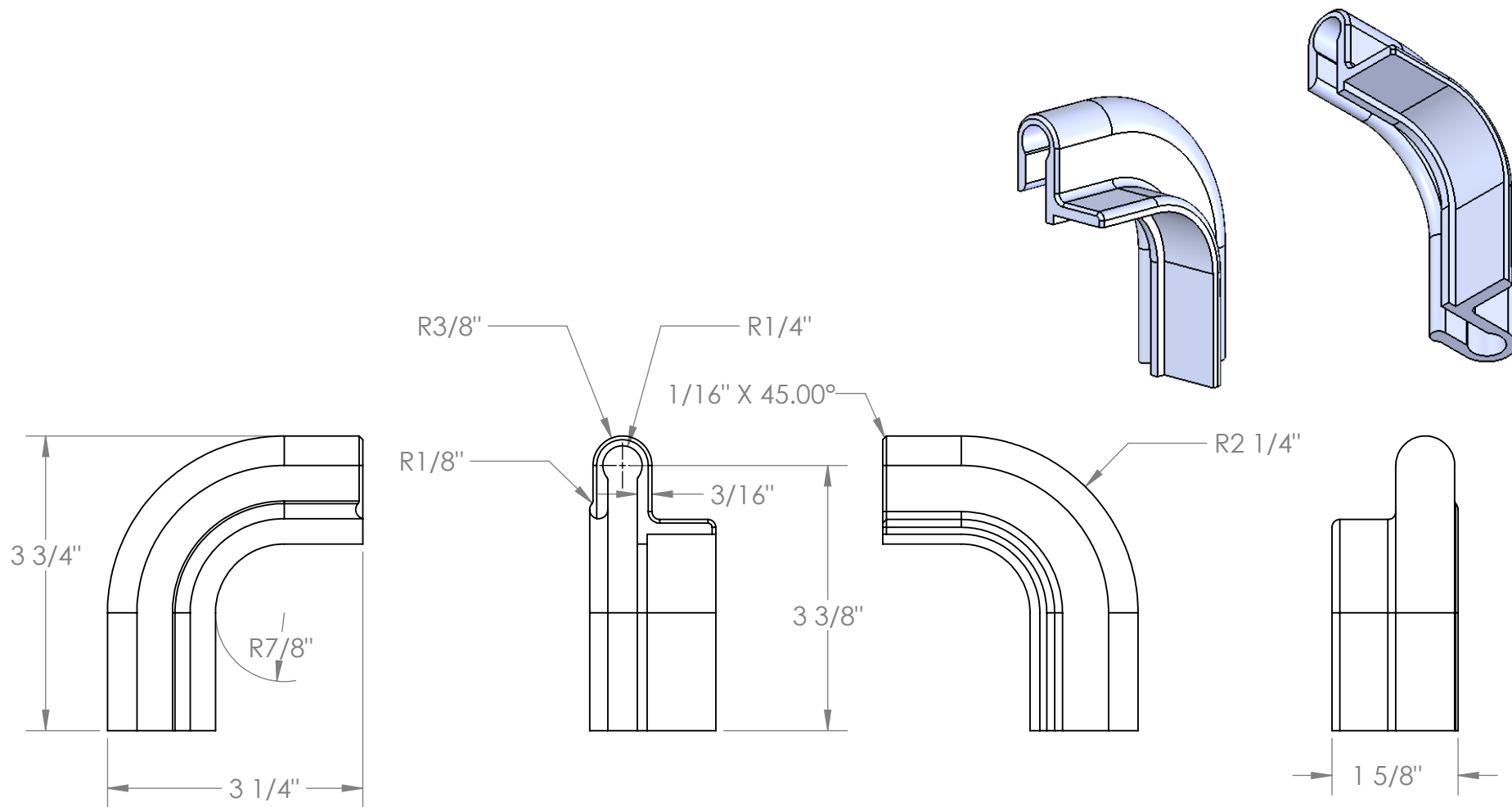


PART NUMBER	DESCRIPTION	MATERIAL	WEIGHT	STOCK SIZE
1001354	CLOSURE END CAP RH	6061 Alloy	0.041	CAST



**PROPRIETARY AND CONFIDENTIAL**  
 THE INFORMATION CONTAINED IN THIS DRAWING IS THE SOLE PROPERTY OF VERSA-STEEL, INC. ANY REPRODUCTION IN PART OR AS A WHOLE WITHOUT THE WRITTEN PERMISSION OF VERSA-STEEL, INC. IS PROHIBITED.

DIMENSIONS ARE IN MM TOLERANCES: 0mm = ± 1mm 0.0mm = ± 0.5mm 0.00mm = ± 0.025mm	
MATERIAL	6061 Alloy
FINISH	BEAD BLAST
DO NOT SCALE DRAWING	

	NAME	DATE
DRAWN	CM	2013-11-07
CHECKED		
ENG APPR.		
MFG APPR.		
Q.A.		
COMMENTS:		

**Versa-Steel, Inc**  
 Portland, Oregon USA  
 Ph 503-287-9822

Description: CLOSURE END CAP RH

Part Number: 1001354

SIZE <b>A</b>	DWG. NO. 1 of 1	REV. <b>C</b>
------------------	--------------------	------------------

SCALE: 1:2      WEIGHT: 0.041 Kgs      SHEET 1 OF 1