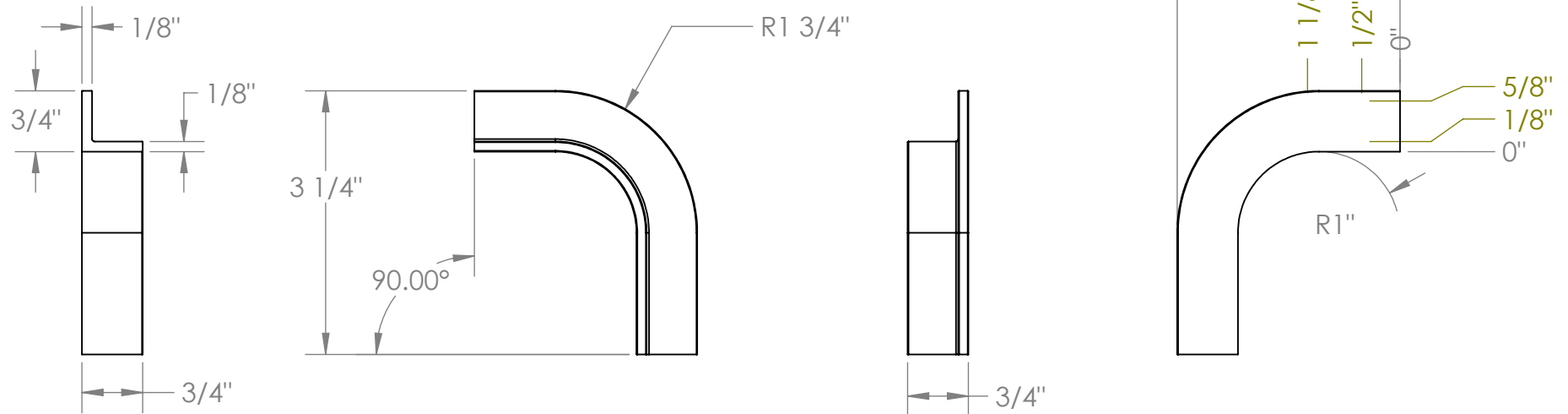
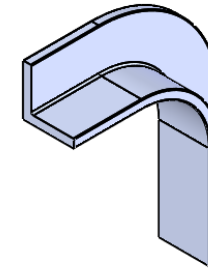


PART NUMBER	DESCRIPTION	MATERIAL	WEIGHT	STOCK SIZE
1001357	ANGLE END CLOSURE BOTTOM RH	6061 Alloy	0.034	CAST



PROPRIETARY AND CONFIDENTIAL

THE INFORMATION CONTAINED IN THIS DRAWING IS THE SOLE PROPERTY OF VERSA-STEEL, INC. ANY REPRODUCTION IN PART OR AS A WHOLE WITHOUT THE WRITTEN PERMISSION OF VERSA-STEEL, INC. IS PROHIBITED.

DIMENSIONS ARE IN MM
 TOLERANCES:
 0mm = ± 1mm
 0.0mm = ± 0.5mm
 0.00mm = ± 0.025mm

MATERIAL
6061 Alloy
 FINISH
MILL

DO NOT SCALE DRAWING

	NAME	DATE
DRAWN	CM	2013-11-07
CHECKED		
ENG APPR.		
MFG APPR.		
Q.A.		
COMMENTS:		

Versa-Steel, Inc
 Portland, Oregon USA
 Ph 503-287-9822

Description: ANGLE END CLOSURE
 BOTTOM RH
 Part Number: 1001357

SIZE	DWG. NO.	REV.
A	1 of 1	C

SCALE: 1:2 WEIGHT: 0.034 Kgs SHEET 1 OF 1