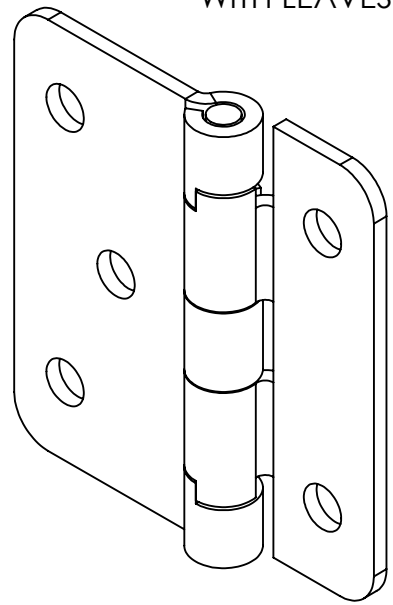
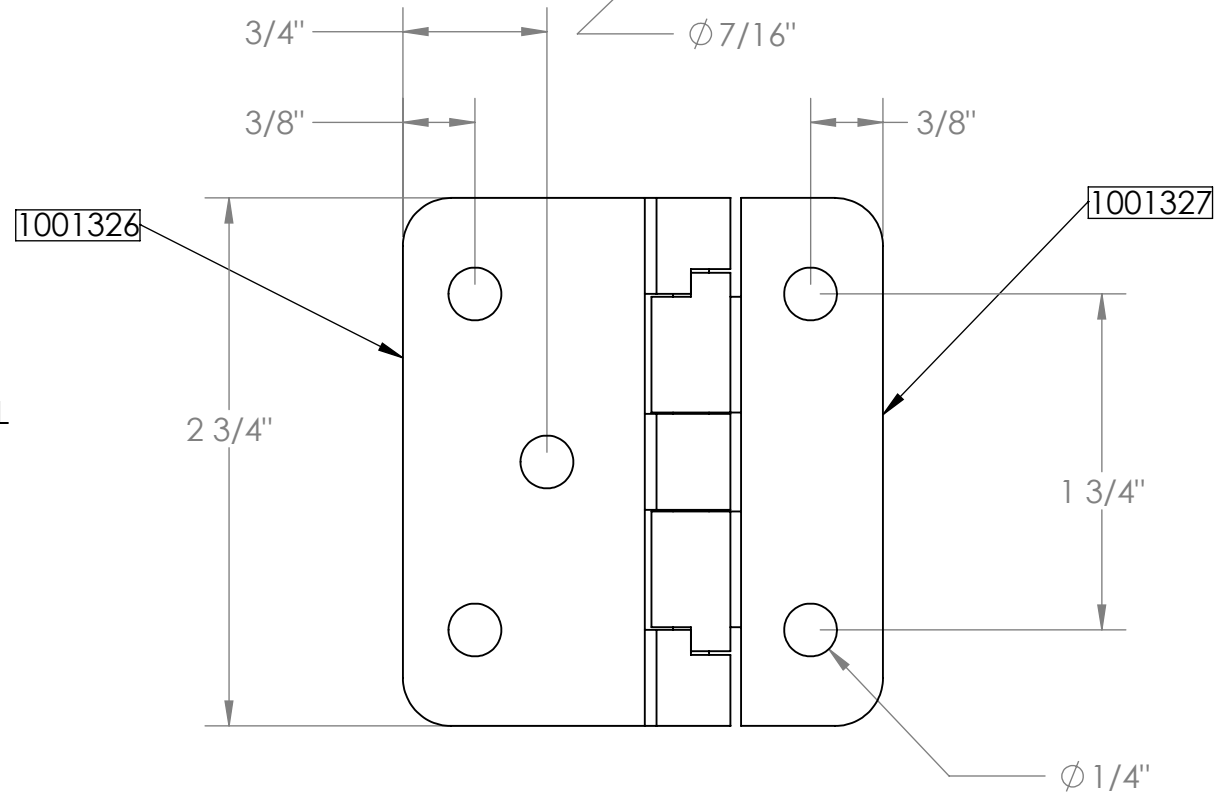
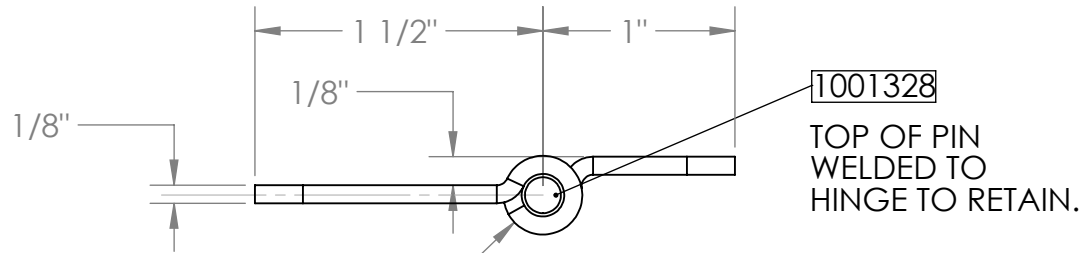


ITEM NO.	PART NUMBER	DESCRIPTION	QTY.
1	1001327	SHORT HINGE HALF	1
2	1001326	LONG HINGE HALF	1
3	1001328	HINGE PIN	1



DIMENSIONS ARE IN INCHES  
TOLERANCES:  
X.XX ± 0.020"  
X.XXX ± 0.005"

UNLESS NOTED

MATERIAL  
316-L  
FINISH

DO NOT SCALE DRAWING

	NAME	DATE
DRAWN	E.BAILIFF	2013-07-02
CHECKED		
ENG APPR.		
MFG APPR.		
Q.A.		

COMMENTS:

Versa-Steel, Inc  
Portland, Oregon USA  
Ph 503-287-9822

Description: HINGE 1.75 X 2.60

Part Number: 7000669

SIZE <b>A</b>	DWG. NO. 7000669	REV. <b>B</b>
------------------	---------------------	------------------

SCALE: 1:1 WEIGHT: 0.23 LBS SHEET 1 OF 1

**PROPRIETARY AND CONFIDENTIAL**

THE INFORMATION CONTAINED IN THIS DRAWING IS THE SOLE PROPERTY OF VERSA-STEEL, INC. ANY REPRODUCTION IN PART OR AS A WHOLE WITHOUT THE WRITTEN PERMISSION OF VERSA-STEEL, INC. IS PROHIBITED.